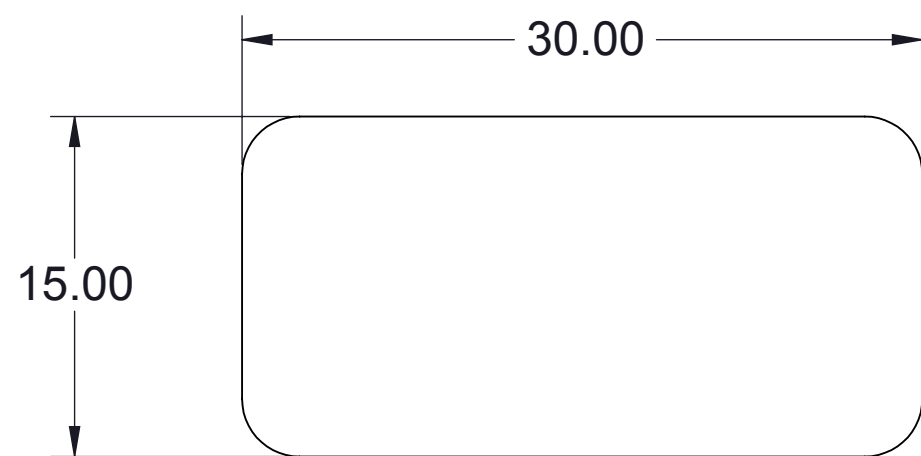
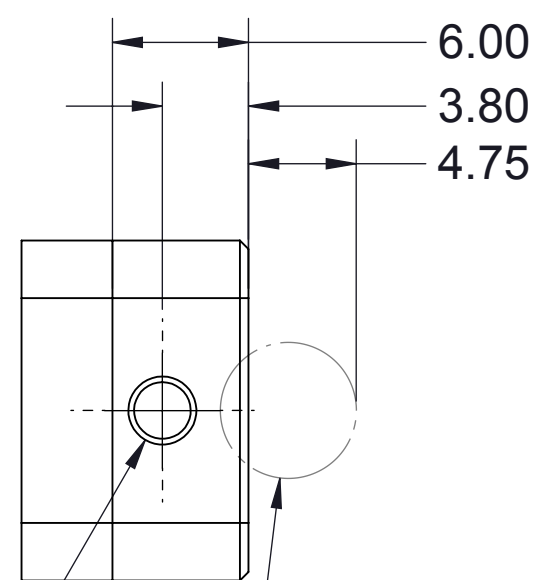


.38mm X 45° CHAMFER

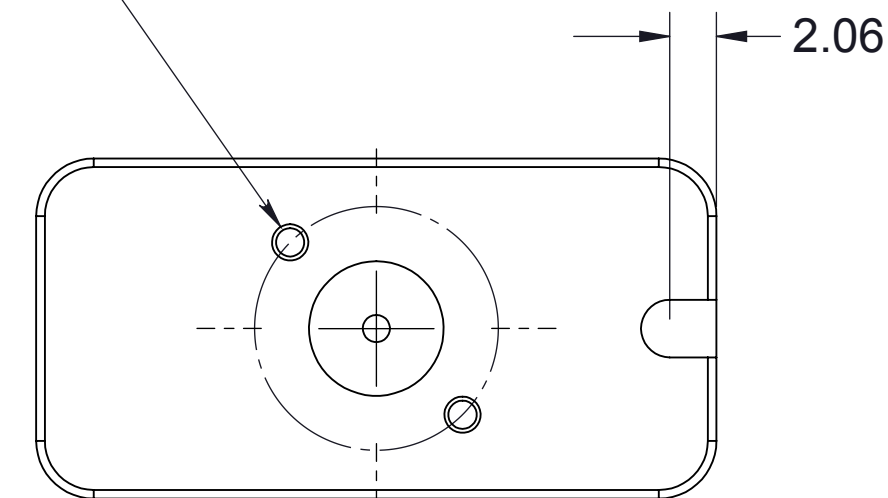


2X MANUFACTURING TOOLING HOLES ONLY



M3X0.5 - 6H ∇ 3.9
PRESSURE PORT

\varnothing 6.00 TOOLING BALL
NOT INCLUDED



PROPRIETARY ITEM:

This drawing contains information proprietary to New Way Air Bearings. Any reproduction, disclosure or use of this drawing or the information contained herein is expressly prohibited except as New Way may otherwise agree to in writing. © Copyright 2006, New Way Air Bearings. All rights reserved.

www.newwayairbearings.com

NOTES:

- ALL DIMENSIONS ARE REFERENCE UNLESS OTHERWISE SPECIFIED.
- ALL DIMENSIONS ARE IN MILLIMETERS (mm).

TITLE: FLAT BEARING ASSEMBLY, 15mm X 30mm			NEWWAY [®] air bearings	
DRAWN: MC	DATE: 7/29/2011	MATERIAL: ALUMINUM/CARBON		
CHECKED:	DATE:	MASS: 9 g	EWO. NO.	
USED ON:	SHT. 1 OF 1	FINISH: BLUE ANODIZE	DWG. NO. S121501-C	REV. A