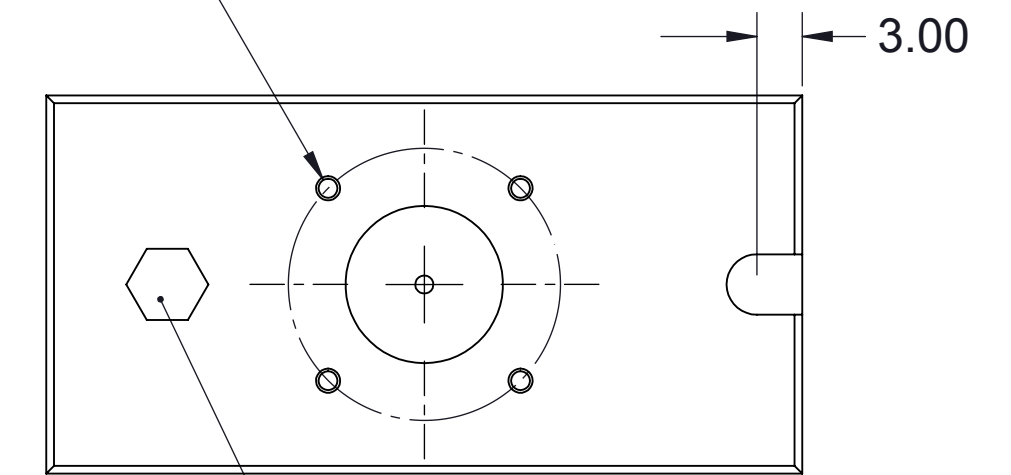


4X M1.6X0.35 - 6H  $\nabla$  3.20  
EQUALLY SPACED ON A  
 $\phi$  18.00 CIRCLE



M3X0.5 - 6H  $\nabla$  6.00  
PRESSURE PORT

$\phi$  13.00 TOOLING BALL  
NOT INCLUDED

M3 AIR PORT PLUG  
INCLUDED

PROPRIETARY ITEM:

This drawing contains information proprietary to New Way Air Bearings. Any reproduction, disclosure or use of this drawing or the information contained herein is expressly prohibited except as New Way may otherwise agree to in writing. © Copyright 2006, New Way Air Bearings. All rights reserved.

www.newwayairbearings.com

NOTES:

1. ALL DIMENSIONS ARE REFERENCE UNLESS OTHERWISE SPECIFIED.
2. ALL DIMENSIONS ARE IN MILLIMETERS (mm).

TITLE: <b>FLAT BEARING ASSEMBLY, 25mm X 50mm</b>			<b>NEWWAY</b> air bearings	
DRAWN: MC	DATE: 7/29/2011	MATERIAL: ALUMINUM/CARBON		
CHECKED:	DATE:	MASS: 48g	EWO. NO.	
USED ON:	SHT. 1 OF 1	FINISH: BLUE ANODIZE	DWG. NO. S122501-C	REV. A