

D

D

C

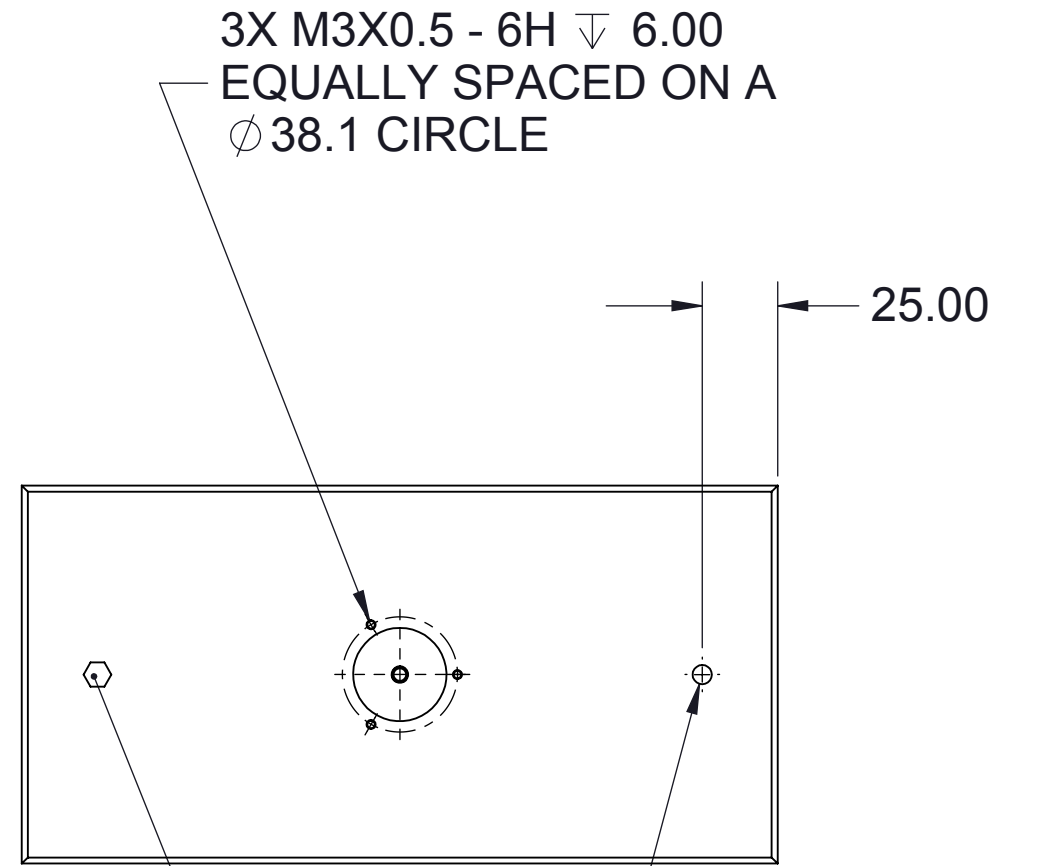
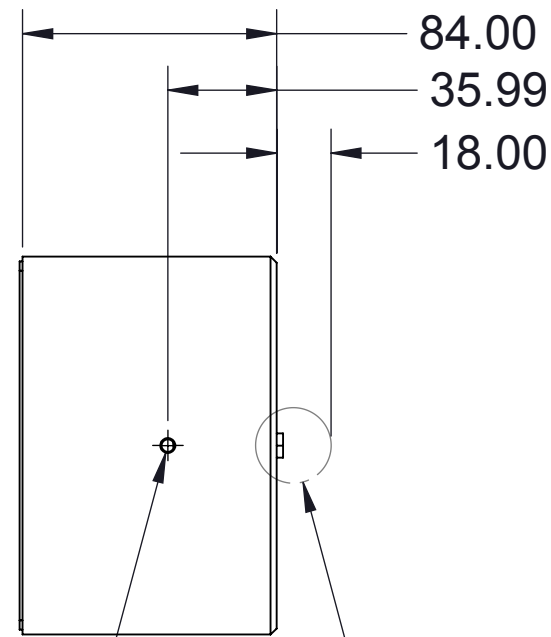
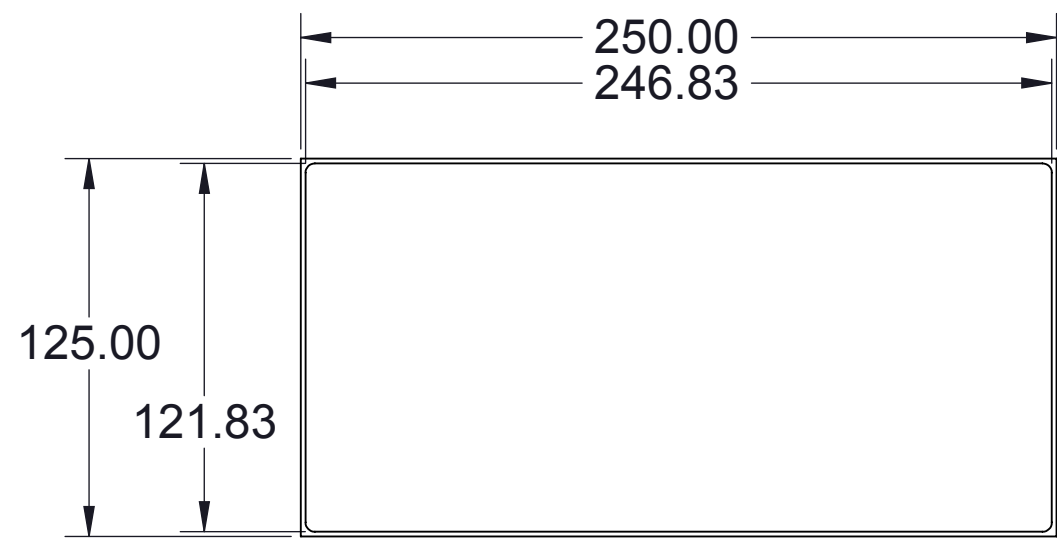
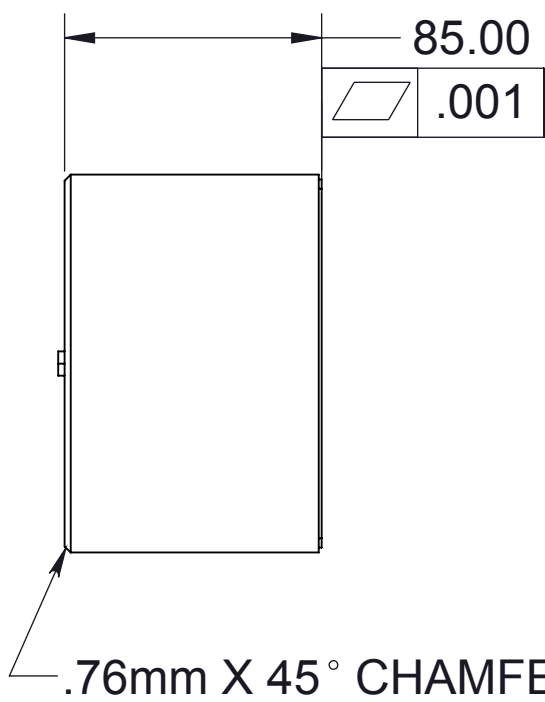
C

B

B

A

A



3X M3X0.5 - 6H ∇ 6.00
EQUALLY SPACED ON A
 ϕ 38.1 CIRCLE

M5X0.8 - 6H ∇ 10.00
PRESSURE PORT

M5 AIR PORT PLUG
INCLUDED

ϕ 25.00 TOOLING BALL
NOT INCLUDED

PROPRIETARY ITEM:
This drawing contains information proprietary to New Way Air Bearings. Any reproduction, disclosure or use of this drawing or the information contained herein is expressly prohibited except as New Way may otherwise agree to in writing. © Copyright 2006, New Way Air Bearings. All rights reserved.

- NOTES:
1. ALL DIMENSIONS ARE REFERENCE UNLESS OTHERWISE SPECIFIED.
 2. ALL DIMENSIONS ARE IN MILLIMETERS (mm).

www.newwayairbearings.com

TITLE: FLAT BEARING ASSEMBLY, 125mm X 250mm			NEWWAY air bearings	
DRAWN: MC	DATE: 7/29/2011	MATERIAL: ALUMINUM/CARBON		
CHECKED:	DATE:	MASS: 6,940g	EWO. NO.	
USED ON:	SHT. 1 OF 1	FINISH: BLUE ANODIZE	DWG. NO. S1212501-C	REV. A

4

3

2

1

4

3

2

1