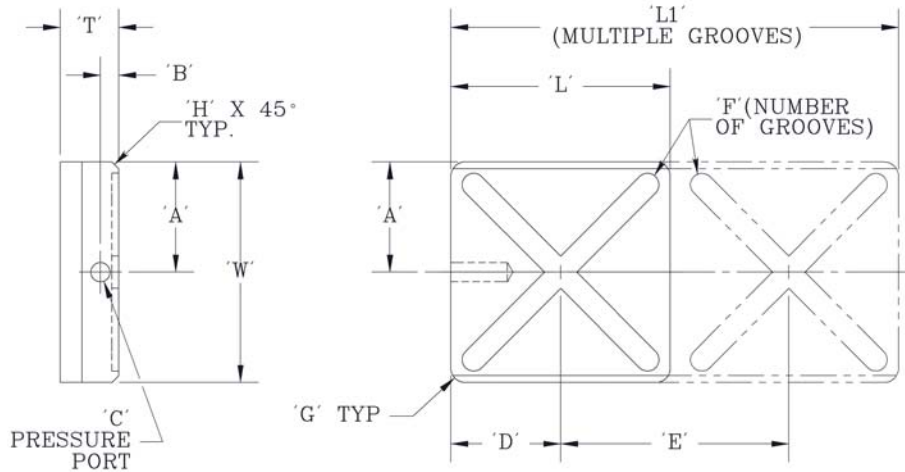


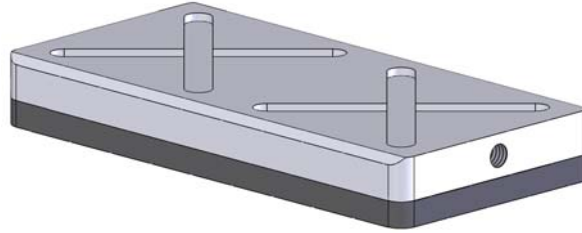
# BONDED BEARINGS

## DIMENSIONS



NOMINAL BEARING WIDTH	PART NUMBER	DIMENSIONS											
		'W'	'L'	'L1'	'T'	'A'	'B'	'C TAP	'D'	'E'	'F'	'G'	'H'
12	S17012110	12.0	12	N/A	10	6.00	3.8	M3 X 0.5	6.00	24	1	2.5	1.25
	S17012210		24						1				
	S17012310		36						1				
	S17012410		N/A						48		2		
15	S17015110	15.0	15	N/A	10	7.50	3.8	M3 X 0.5	7.50	24	1	2.5	1.25
	S17015210		30						1				
	S17015310		45						1				
	S17015410		N/A						60		2		
18	S17018110	18.1	18.1	N/A	10	9.05	3.8	M3 X 0.5	9.05	24	1	2.5	1.25
	S17018210		38.1						1				
	S17018310		58.1						1				
	S17018410		N/A						78.1		2		
23	S17023110	23.1	23.1	N/A	10	11.55	3.8	M3 X 0.5	11.55	24	1	2.5	1.25
	S17023210		48.1						1				
	S17023310		N/A						73.1		2		
	S17023410		N/A						98.1		2		
38	S17038110	38.1	38.1	N/A	10	19.05	3.8	M3 X 0.5	19.05	24	1	2.5	1.25
	S17038210		N/A						78.1		2		
	S17038310		N/A						118.1		3		
	S17038410		N/A						158.1		4		
48	S17048112.5	48.1	48.1	N/A	12.5	24.05	4	M5 X 0.8	24.05	50	1	3.175	1.5
	S17048212.5		N/A						98.1		2		
	S17048312.5		N/A						148.1		3		
	S17048412.5		N/A						198.1		4		
72	S17072115	71.7	71.7	N/A	15	35.85	6.5	M5 X 0.8	35.85	75	1	3.175	1.5
	S17072215		N/A						146.7		2		
	S17072315		N/A						221.7		3		
	S17072415		N/A						296.7		4		
97	S17097115	96.9	96.9	N/A	15	48.45	6.5	M5 X 0.8	48.45	100	1	3.175	1.5
	S17097215		N/A						196.9		2		
	S17097315		N/A						296.9		3		
	S17097415		N/A						396.9		4		
122	S17122119	121.9	121.9	N/A	19	60.95	7.5	M5 X 0.8	60.95	125	1	3.175	1.75
	S17122219		N/A						246.9		2		
	S17122319		N/A						371.9		3		
147	S17147119	146.9	146.9	N/A	19	73.45	7.5	M5 X 0.8	73.45	150	1	3.175	1.75
	S17147219		N/A						296.9		2		

NOTES: -ALL DIMENSIONS ARE IN MILLIMETERS



## SPECIFICATIONS

NOMINAL BEARING WIDTH	PART NUMBER	IDEAL LOAD (N)	FLOW (SLPM)	BEARING WEIGHT (GM)
12	S17012110	18	0.1	3.1
	S17012210	36	0.2	6.2
	S17012310	53	0.3	9.3
	S17012410	71	0.4	12.4
15	S17015110	31	0.2	4.9
	S17015210	62	0.5	9.8
	S17015310	93	0.7	14.8
	S17015410	125	0.9	19.7
18	S17018110	56	0.4	6.9
	S17018210	111	0.7	14.7
	S17018310	167	1.1	22.6
	S17018410	222	1.4	29.1
23	S17023110	93	0.5	11.4
	S17023210	187	0.9	23.9
	S17023310	280	1.4	36.5
	S17023410	374	1.9	49.0
38	S17038110	311	0.9	29.3
	S17038210	623	1.9	60.5
	S17038310	934	2.8	96.6
	S17038410	1246	3.8	129.5
48	S17048112.5	556	1.1	58.6
	S17048212.5	1112	2.1	120.3
	S17048312.5	1668	3.2	182.1
	S17048412.5	2224	4.2	243.8
72	S17072115	1290	0.8	164.5
	S17072215	2580	1.7	337.5
	S17072315	3870	2.5	510.4
	S17072415	5160	3.3	683.0
97	S17097115	2447	0.9	312.2
	S17097215	4893	1.9	635.0
	S17097315	7340	2.8	1038.0
	S17097415	9786	3.8	1280.7
122	S17122119	3892	1.5	651.1
	S17122219	7784	3.1	1320.0
	S17122319	11677	4.6	1988.9
147	S17147119	5560	2.1	947.5
	S17147219	11121	4.2	1916.4

NOTES: -ALL PERFORMANCE DATA @0.41 MPA INPUT PRESSURE